

RN 111-17 PG10

DATA SHEET

Description

The HEINZMANN heavy-duty motor CargoPower RN 111 for electric cargo bicycle drives offers innovative technology, robust design and reliability. It has been specially developed for the loads encountered during cargo transportation. Torque, torque support and the permissible axle loads have been designed specifically for these applications up to a total vehicle weight of 300 kg. CargoPower is the most compact and lightweight motor in its class. The compact design enables the motor to be installed in standard forks (100 mm) or standard frame dropouts (135 mm). Mounting on one side is also possible, e.g. for three-wheel models. Powerful torque is achieved with an integrated planetary gear.



Because the power electronics are outside the motor, their function is not impaired by the motor heat and the engine power is therefore not diminished. Additionally, heat dissipation is significantly enhanced by innovative oil cooling. As a result, reduced derating.

Reversing is also possible for special applications, enabling easier manoeuvring, including on three-wheel models. The optimised geometry of the flanges enables easy spoking on 20" to 29" rims, 1 × crossed.

Features

Heavy-duty motor of the CargoPower drive system

Mounting on one side possible, e.g. for three-wheel models

Suitable for standard forks (100 mm) and standard frame dropouts (135 mm)

Prepared for cassettes

Mounting for brake disc

Regeneration possible with all installation versions

External power electronics not impaired by motor heating, enabling constant full engine power

Optimised flange geometry enables easy spoking of 20" to 29" rims, 1 × crossed

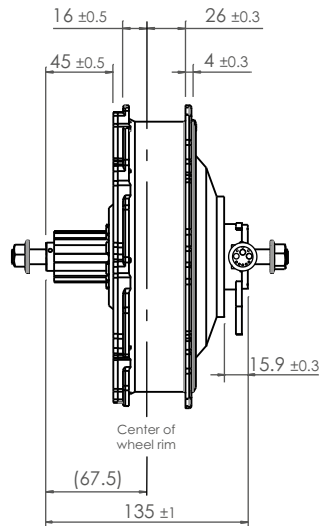
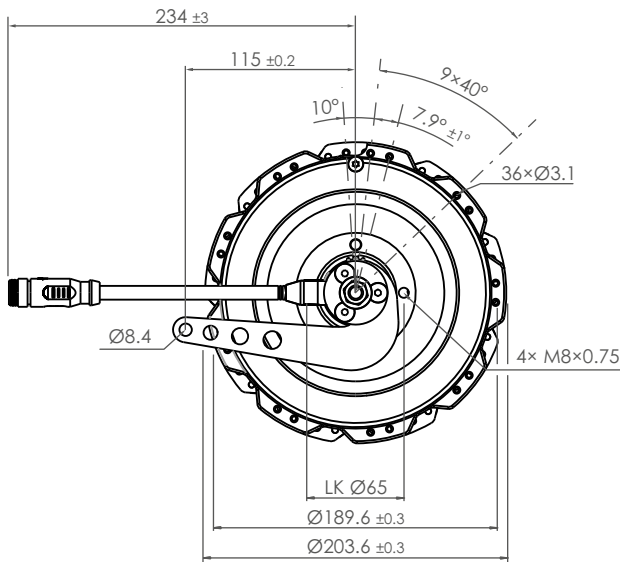
Technical data

Supply voltage	36 V				48 V*		
Nominal output (depending on motor controller)	125 W	250 W	500 W	600 W	250 W	500 W	600 W
Nominal speed	200 1/min						
Rated torque	5.95 Nm	11.9 Nm	23.8 Nm	31.0 Nm	11.9 Nm	23.8 Nm	31.0 Nm
Maximum torque	max. 113 Nm						
Temporary peak power**	up to 950 W				up to 1350 W		
Degree of protection	IP65						
Weight	5.1 kg						
Axle load max.	150 kg front wheel / 125 kg rear wheel / 100 kg single side						

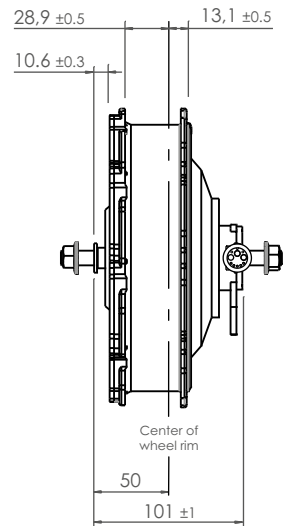
* Best efficiency point $\eta = 85\%$

** Depending on current capability of applied battery

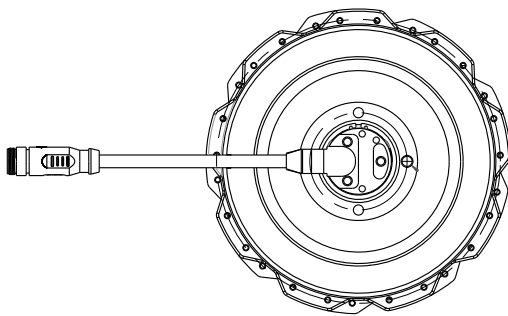
Dimensions



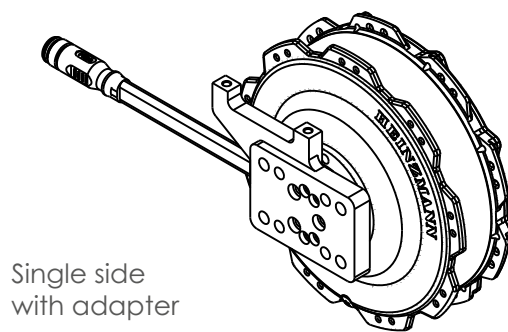
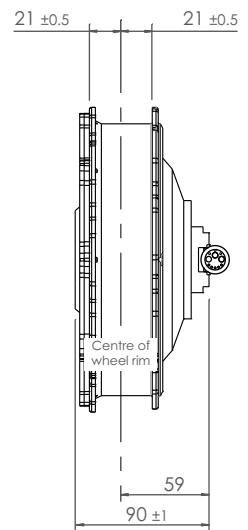
Rear wheel



Front wheel



Single side



Single side with adapter

